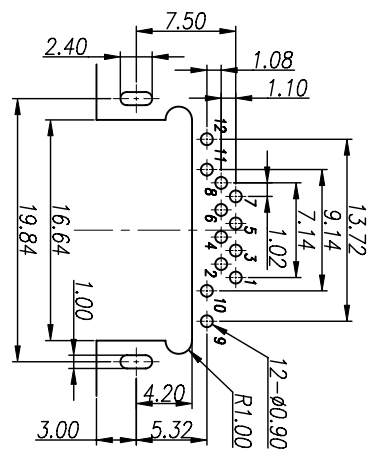
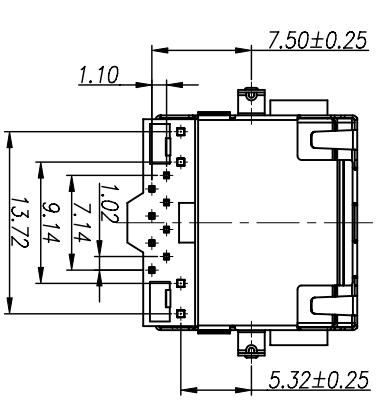
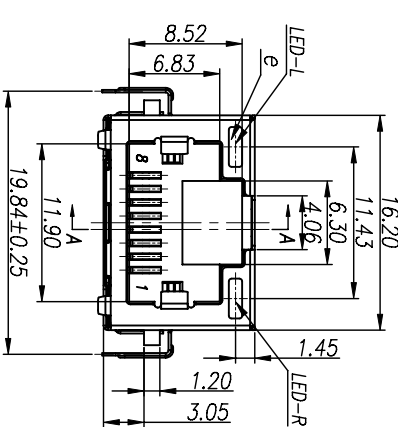
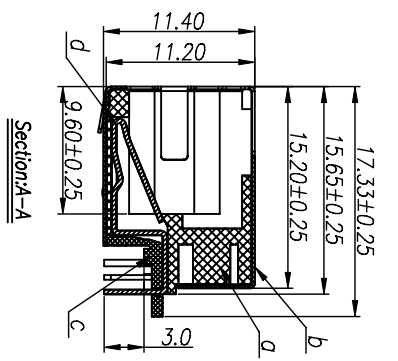
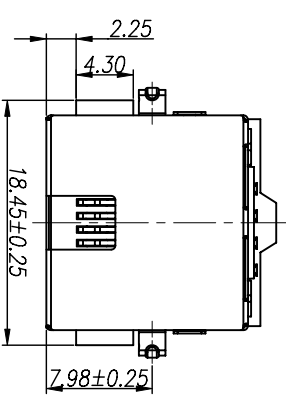
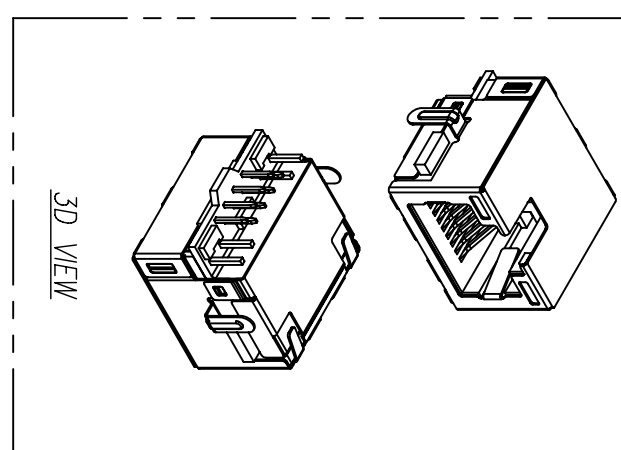


CATEGORY	DESCRIPTION	P/N #	REV.	ECN NO	DESCRIPTION	REVISED	DATE
CONNECTOR	Modular Jack, 8P8C, R/A, With LED	MJ88-BX11-RVLX	A01		New Release	XSY	2015.01.14



RECOMMENDED PCB LAYOUT (TOP VIEW)
(ALL TOLERANCES ARE ±0.05)

- Specifications:
1. Rated Current: 1.5A
 2. Contact resistance: 40mΩ MAX.
 3. Insulation resistance: 500MΩ MIN.
 4. Dielectric withstand: 500V AC for 1 minute
 5. Operating temperature: -40°C~+80°C
 6. Insertion/Extraction life: 750 Cycles



3D VIEW

MJ88-BX11-RVLX

X	LED-L	LED-R
1	GREEN	YELLOW
2	YELLOW	GREEN

Table 1

X	Terminal Plating
0	Au 1u" Plating
1	Au 3u" Plating
2	Au 6u" Plating
3	Au 15u" Plating
4	Au 30u" Plating
5	Au 50u" Plating

f	LED-R	1	See Table 2						
e	LED-L	1	See Table 2						
d	Terminal	8	PHOSPHOR BRONZE T=0.35mm	See Table 1					
c	Cover	1	LCP GF30% UL94V-0	Black					
b	Shell	1	BRASS T=0.20mm	Ni 30u"					
a	Housing	1	LCP GF30% UL94V-0	Black					
NO.	PART NAME	Q'TY	MATERIAL	PLATING & COLOR	Remark				

东莞市合陵电子有限公司
 Dongguan Heling Electronic Co., LTD
 Connector
 SCALE: 1/1 UNIT: mm DWG. NO: WJ-061-107
 SIZE: A4 PAGE: 10F-1 REV: A01
 APPROVED BY: XSY CHECKED BY: XSY PREPARED BY: XSY
 DICK
CUSTOMER COPY

