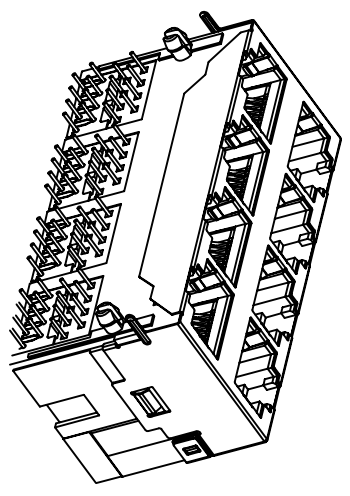
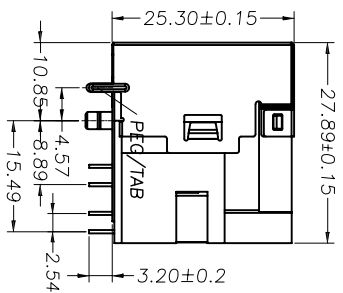
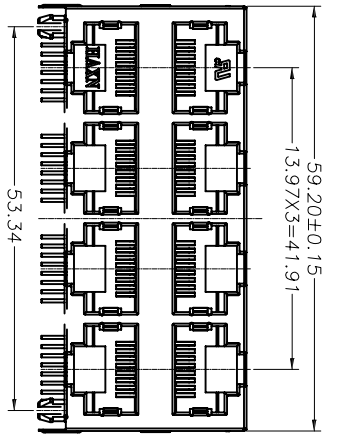
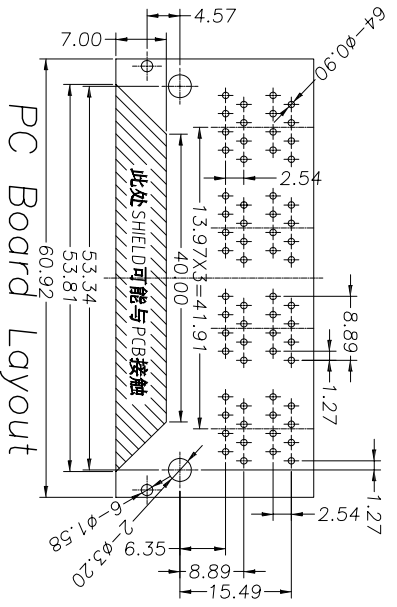
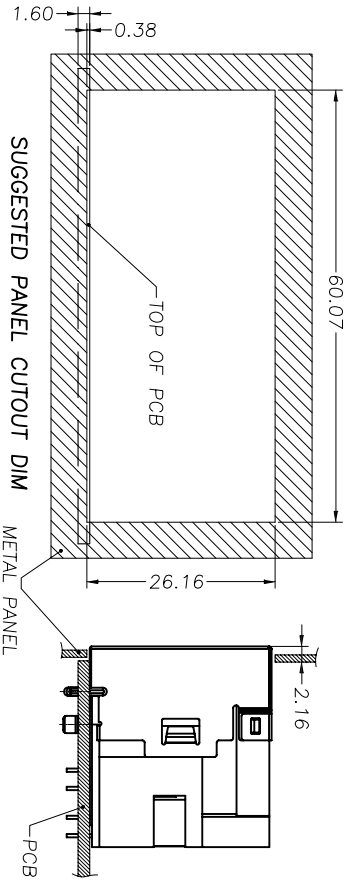
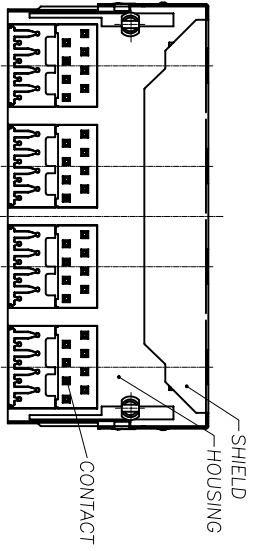


CATEGORY	DESCRIPTION	P/N #
CONNECTOR	Modular Jack, 8P8C, 2X4PORT	MJ5988-BX24-RH1

REV.	ECN NO	DESCRIPTION	REVISED	DATE
A01		New Release	GMC	2010.08.28



- SPECIFICATIONS:**
1. Voltage: 150V AC RMS
 2. Current Rating: 1.5A
 3. Contact Resistance: 30mΩ MAX.
 4. Insulation Resistance: 500MΩ MIN.
 5. Dielectric Withstand Voltage :1000V AC
 6. Operation Temperature: -40°C~80°C
 7. Durability: 500 Mating Cycles MIN.



Part No.: MJ5988-BX24-RH1

Material & Plating

X	Terminal Plating
0	Au 1u" Plating
1	Au 3u" Plating
2	Au 6u" Plating
3	Au 15u" Plating
4	Au 30u" Plating
5	Au 50u" Plating

c	Shielding	1	Brass	Ni Plating	
b	Terminal	8	Phosphor Bronze	Terminal Plating	
a	Housing	1	PBT UL94V-0	See Color Scheme	
NO. PART NAME	Q'TY	MATERIAL PLATING & COLOR			Remark

UNLESS OTHERWISE SPECIFIED TOLERANCES

DECIMALS: X :±0.5
 XX :±0.3
 XXX :±0.2

ANGLES: X :±2°
 XX :±1°
 XXX :±0.2

Product Drawing

Dongguan Hejing Electronic Co.,LTD

SCALE:1/1 UNIT: mm DWG.NO: WJ-061-751

SIZE: A3 PAGE:1 OF 1 REV:A01

APPROVED BY: TONY CHECKED BY: WZ PREPARED BY: WZ

CUSTOMER COPY